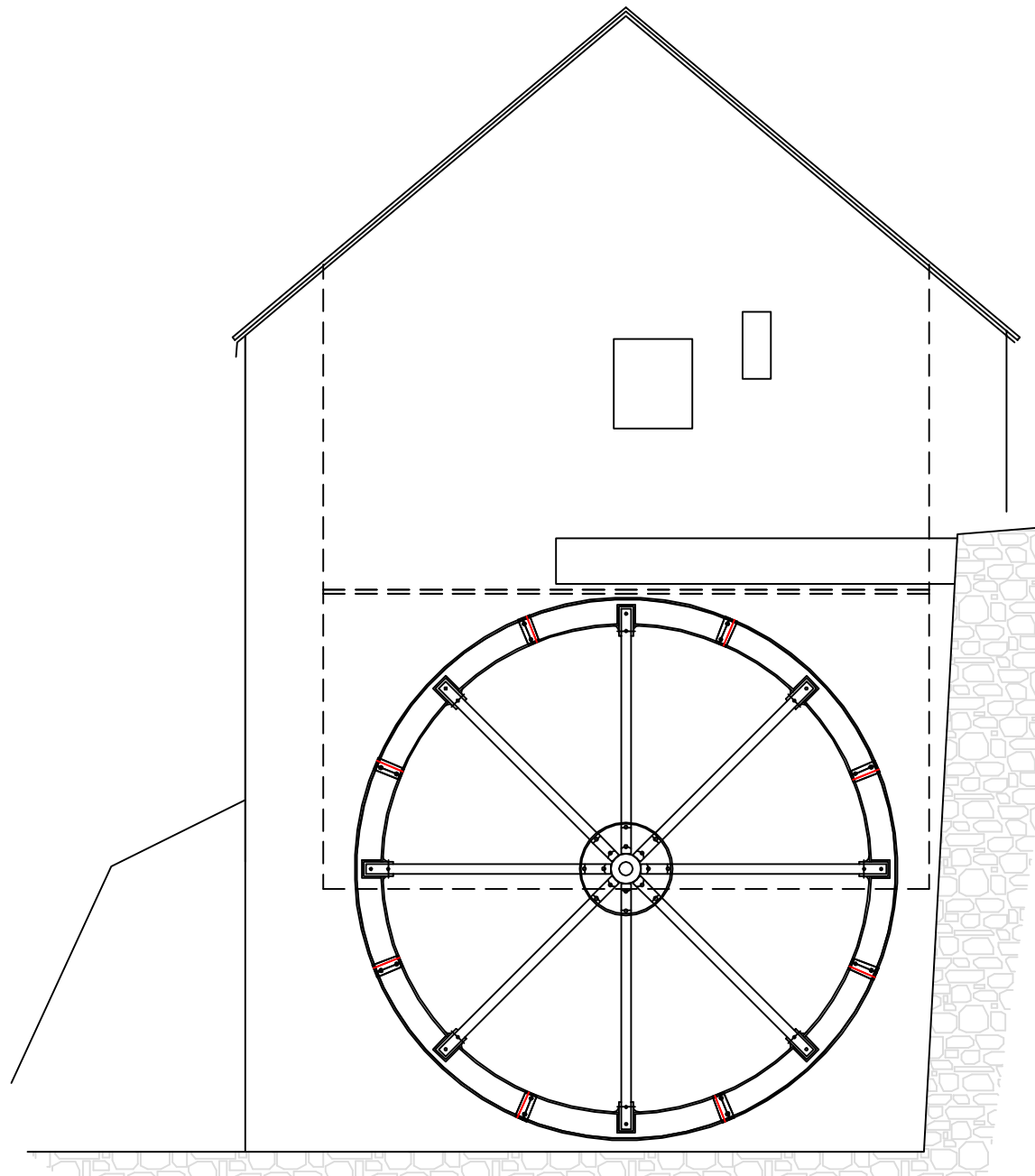
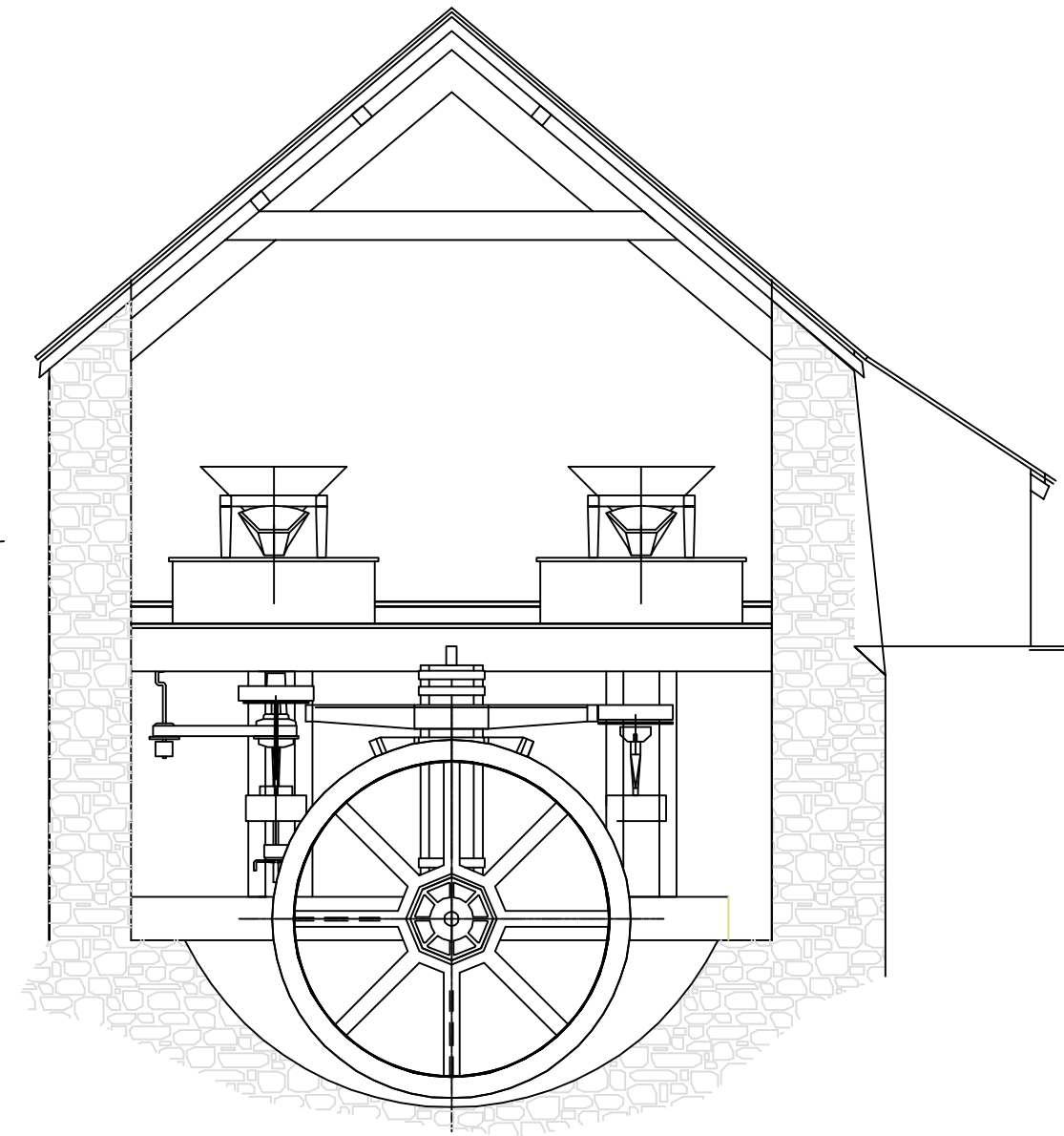


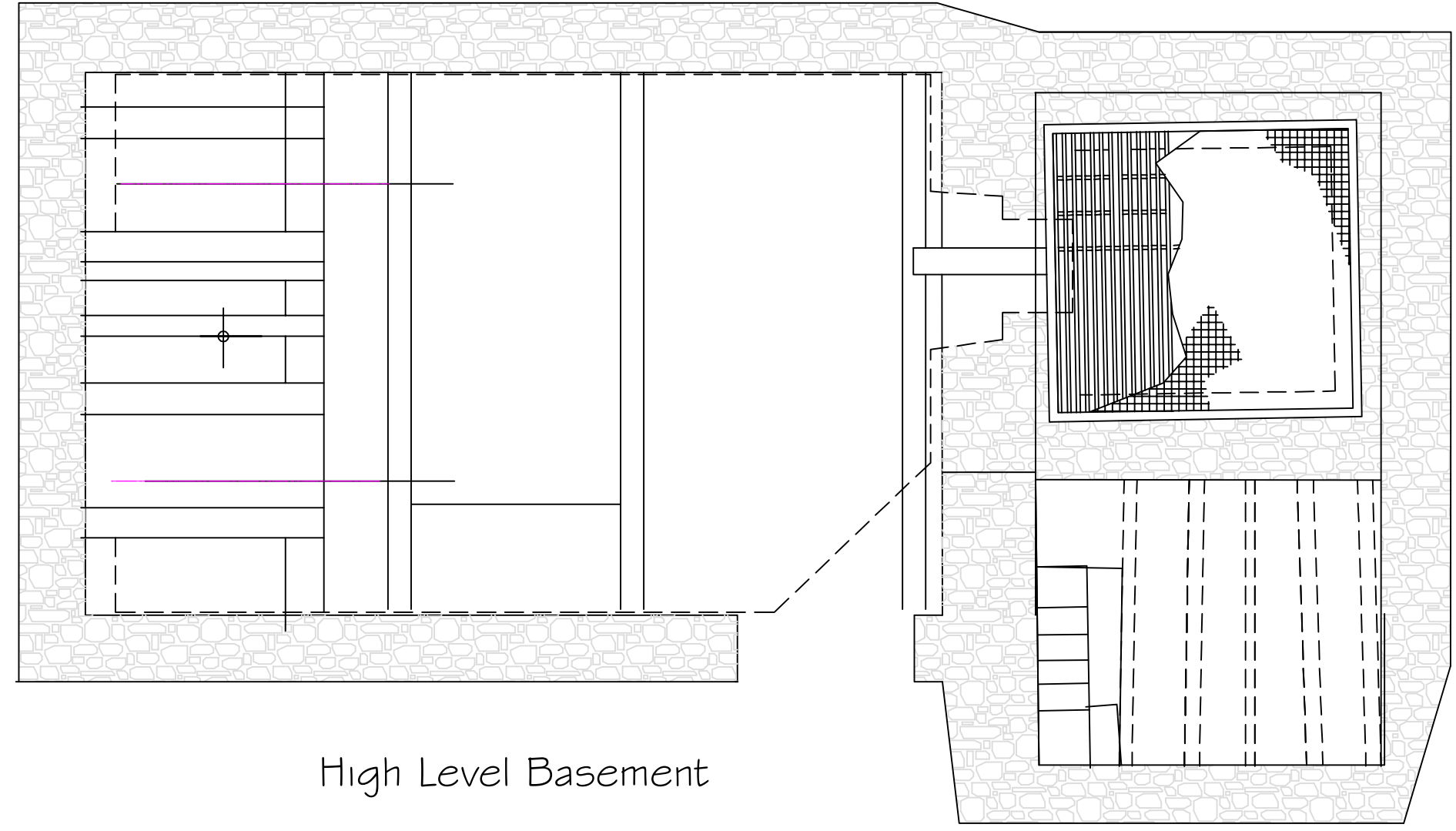
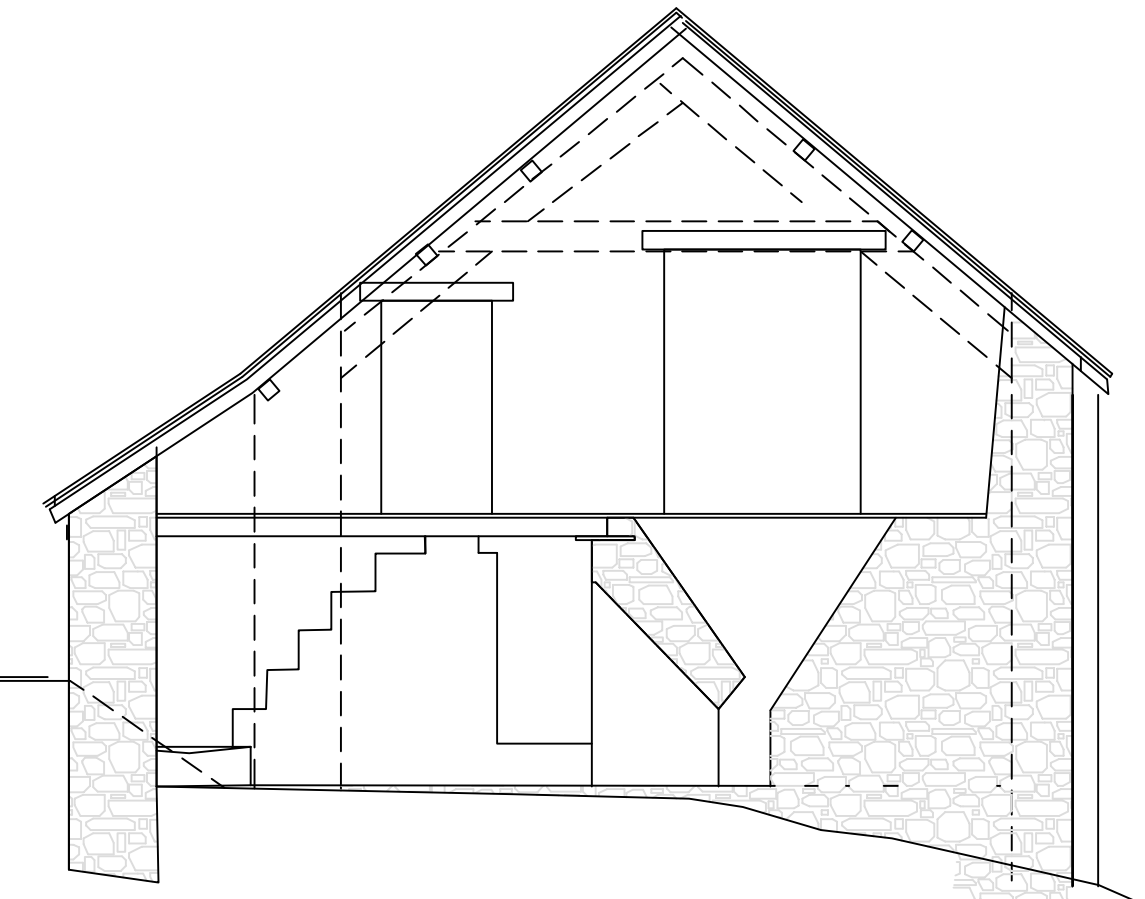
Stone floor



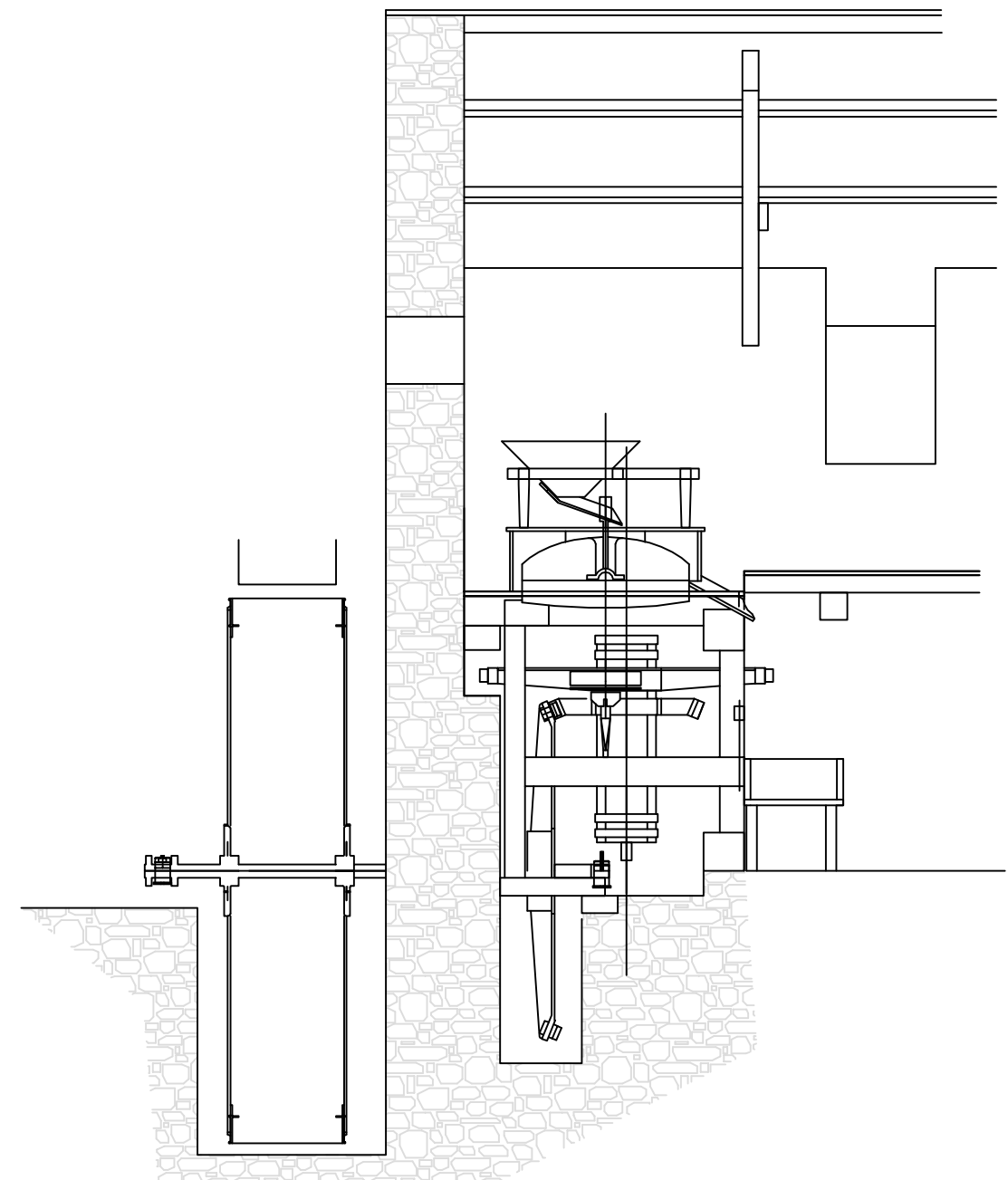
Cross section



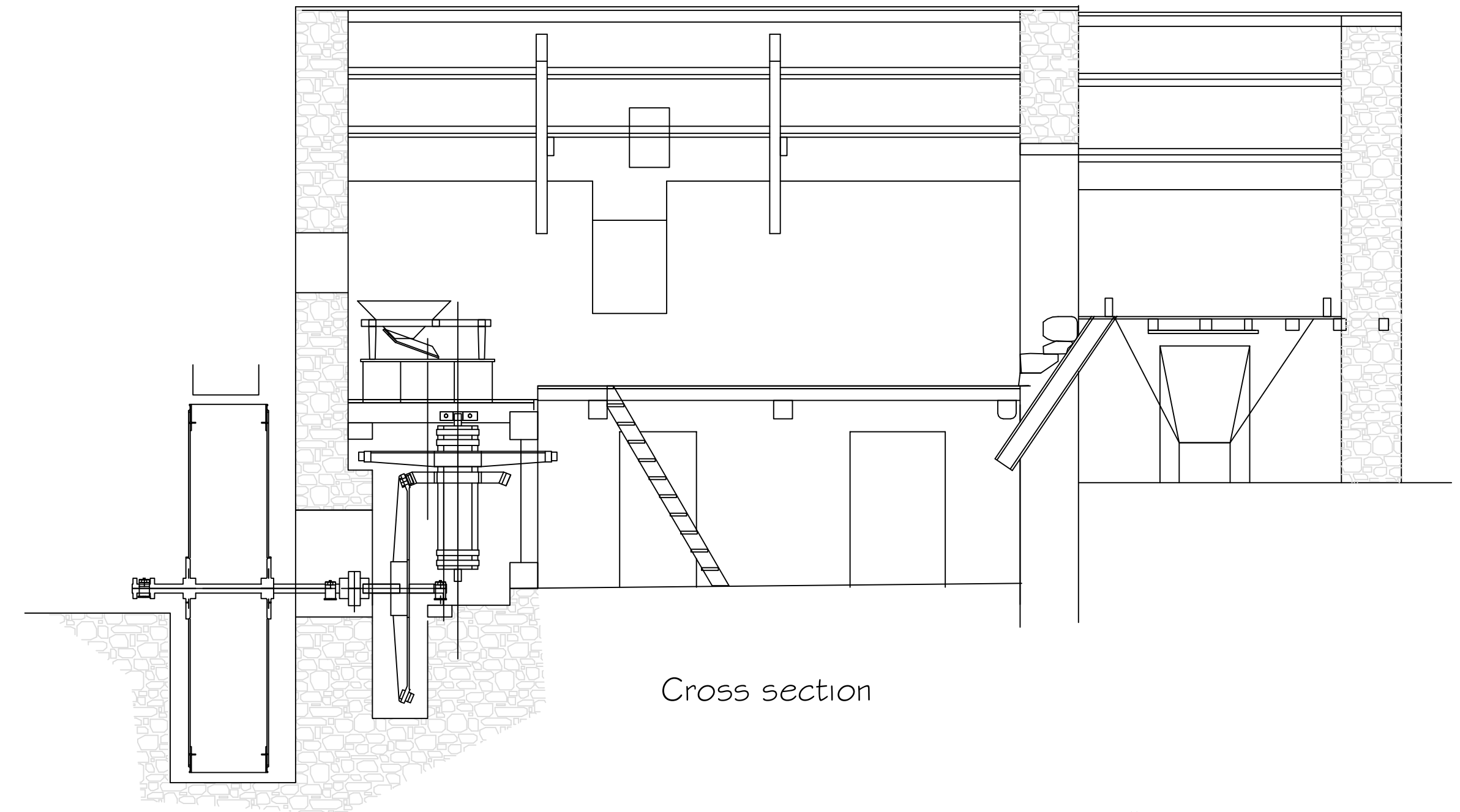
Cross section Kiln



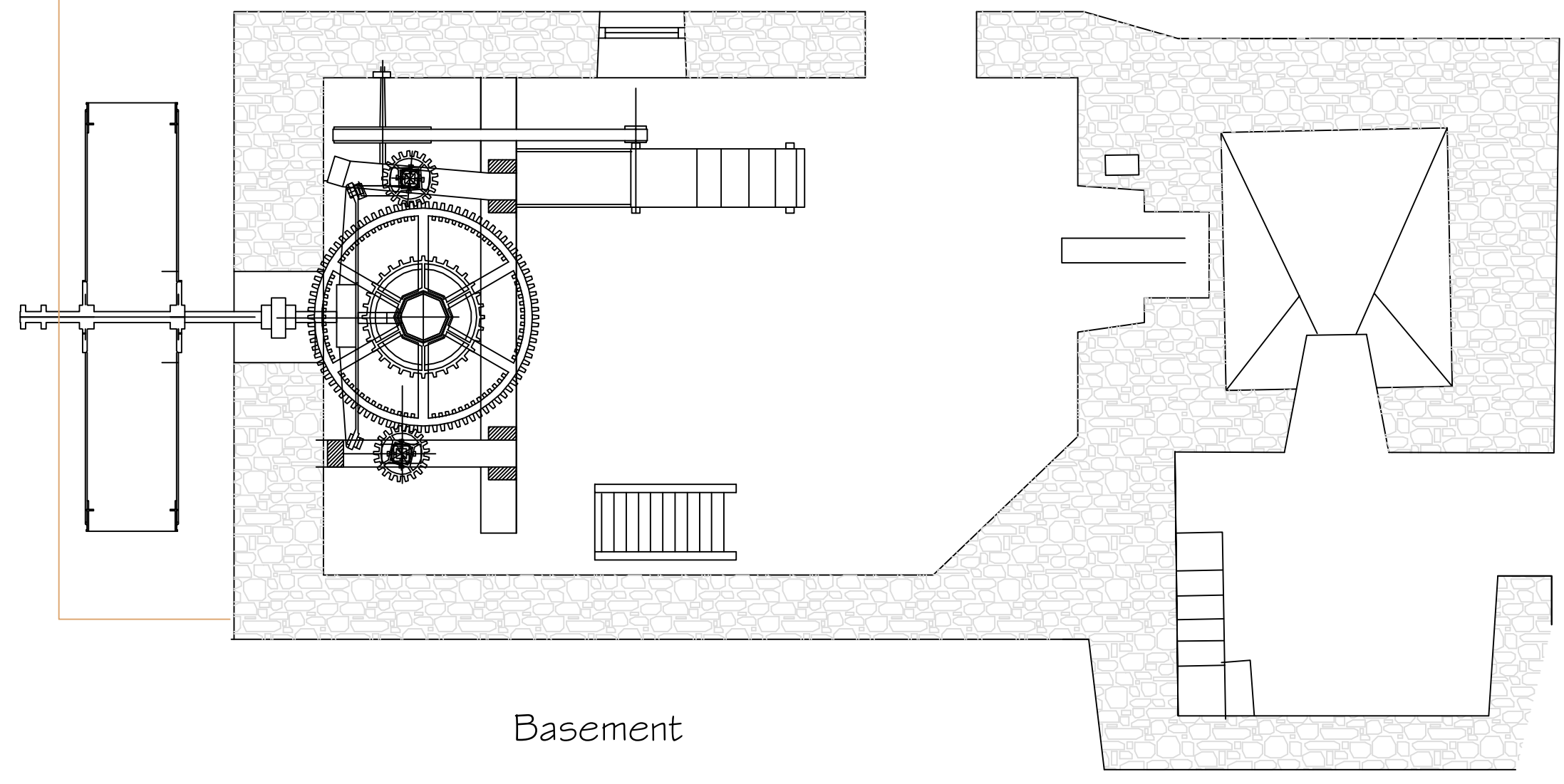
High Level Basement



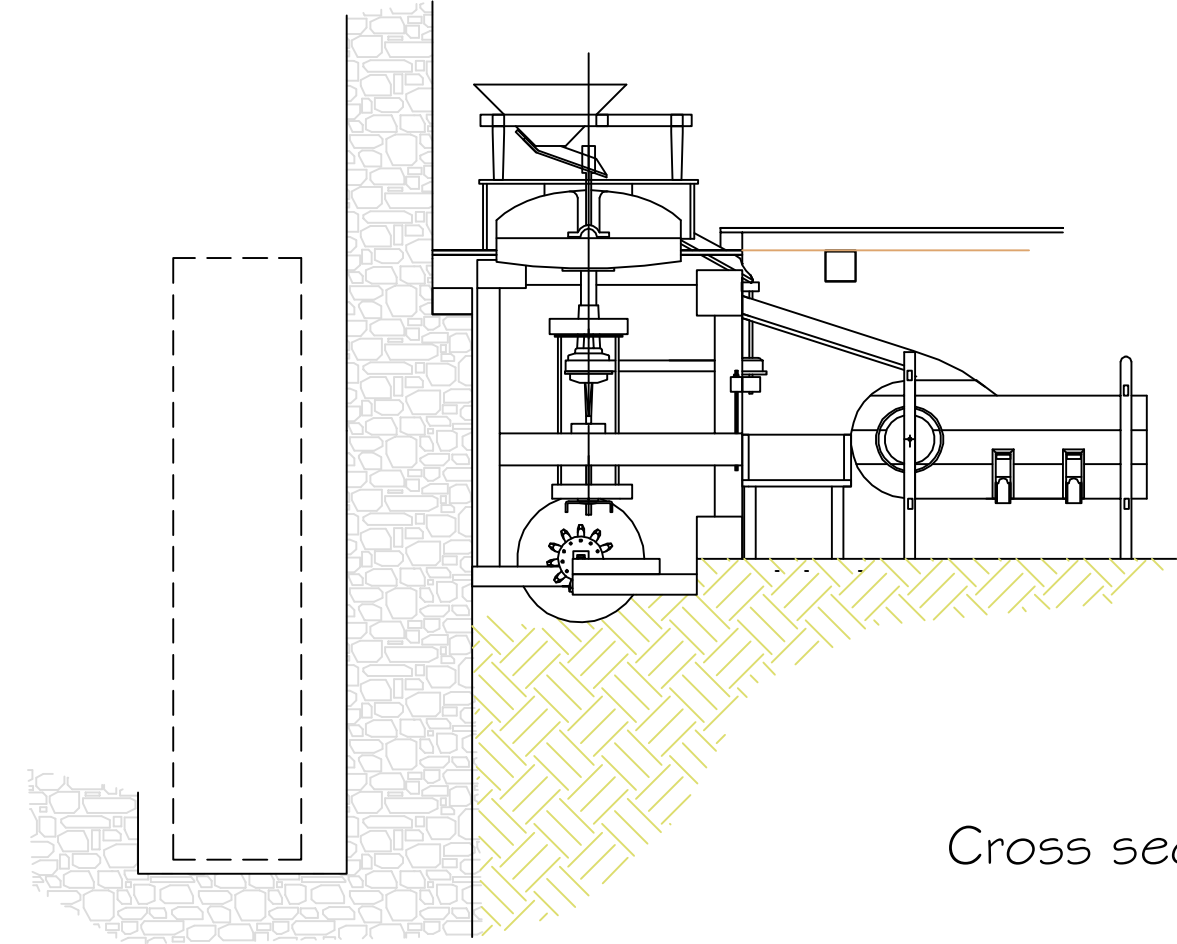
Cross section thro Hurst



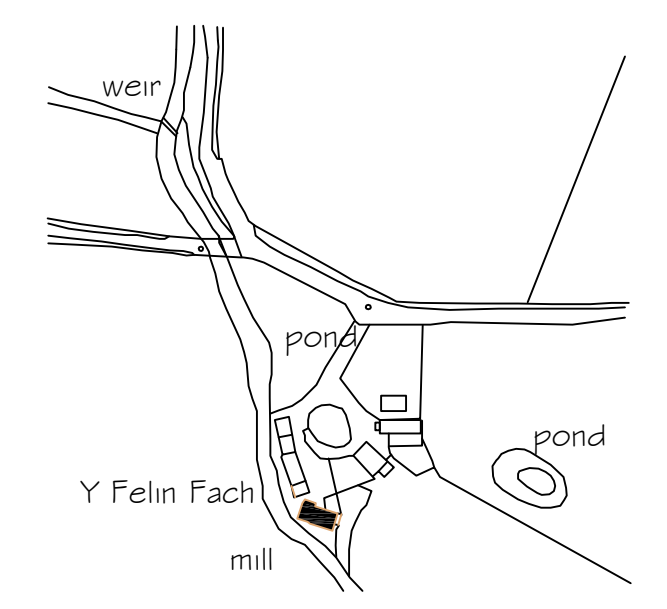
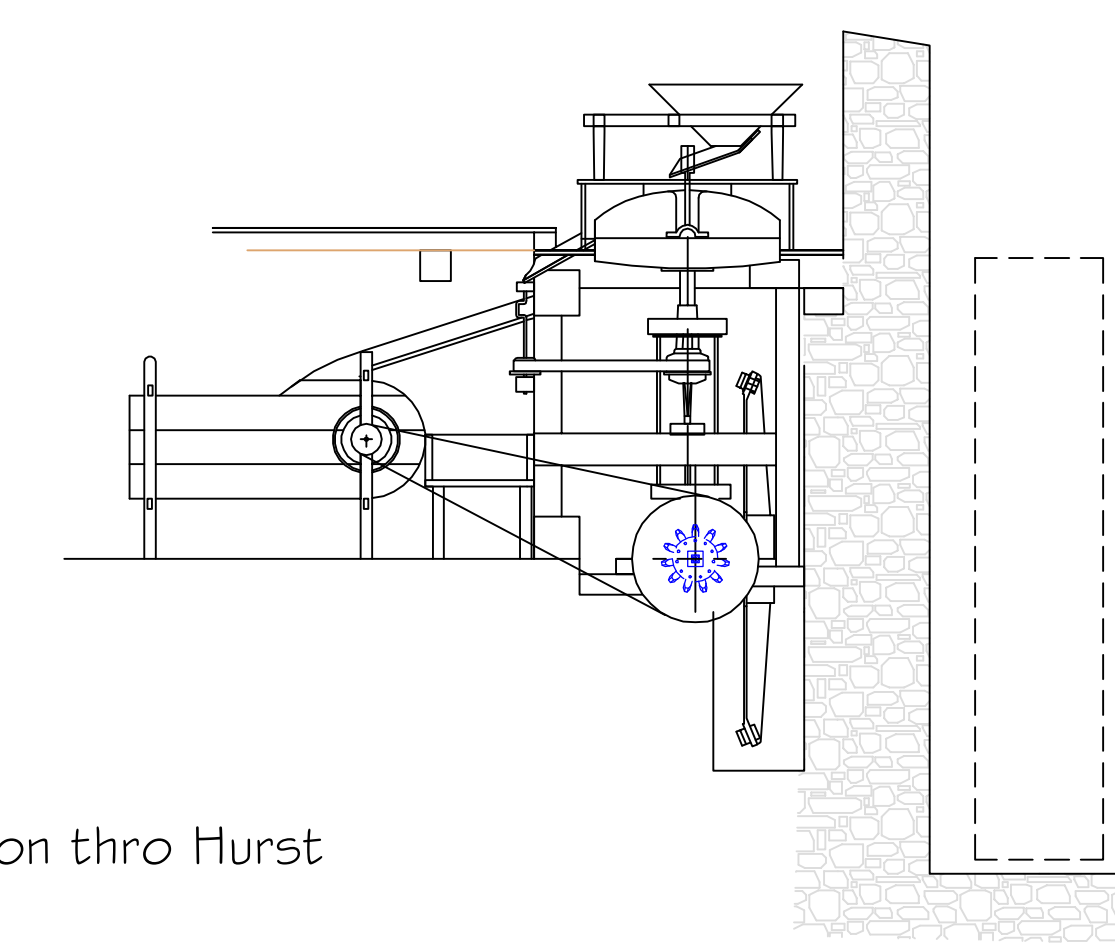
Cross section



Basement



Cross section thro Hurst



location plan
scale 1-2500

Drawn by	Checked by	Approved by - date	Filename survey	Date	Scale
John Brandrick				20/09/10	

<p>4 Corn Mill House, Spring Gardens, Whitland, Carmarthenshire, SA340HH tel 01994 240470 07841 754292</p>	<p>Preliminary GA Y Felin Fach, Blaenpennal Tregaron</p>	
	<p>038- 003-001</p>	<p>Revision 0</p>