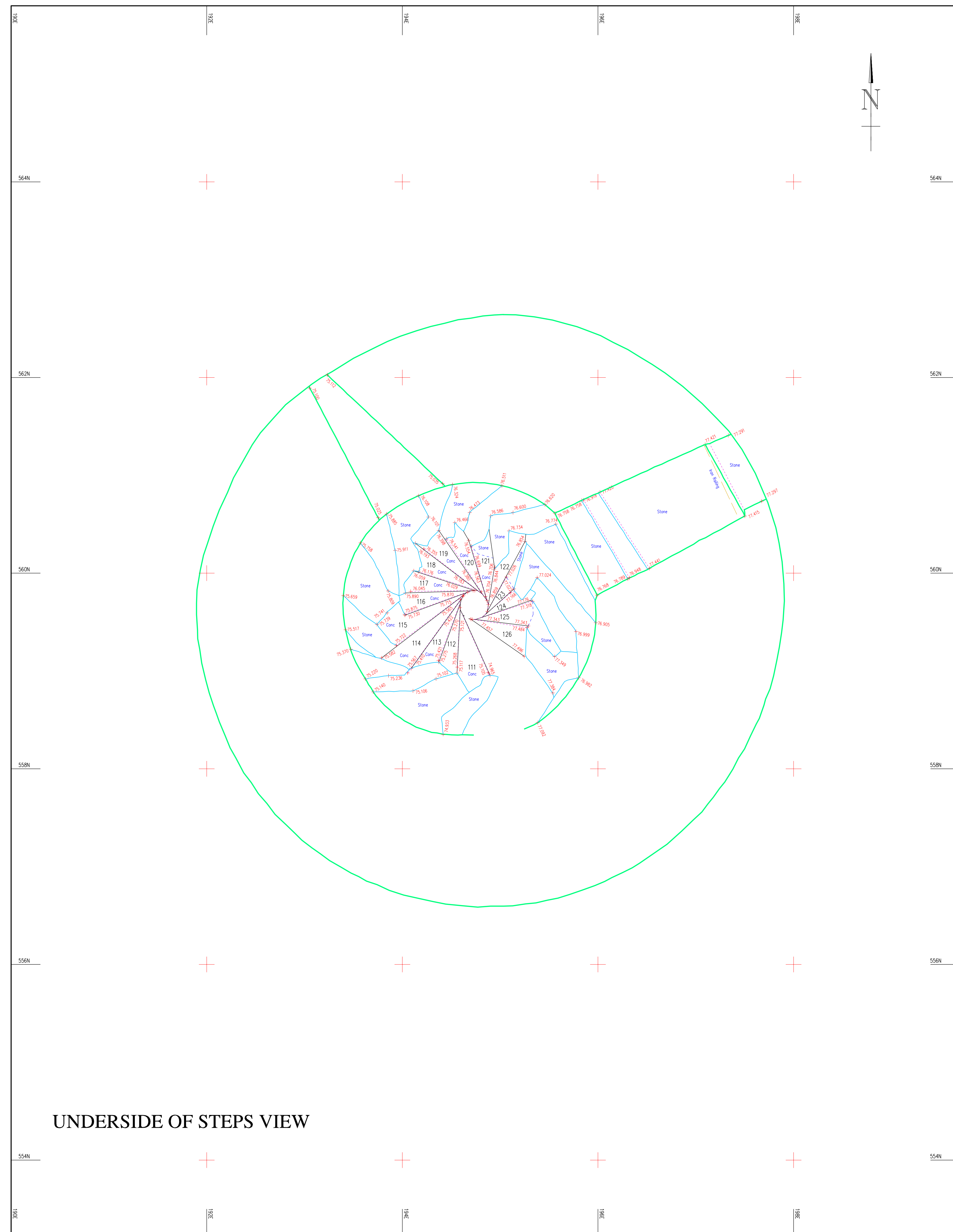


TOP OF STEPS VIEW



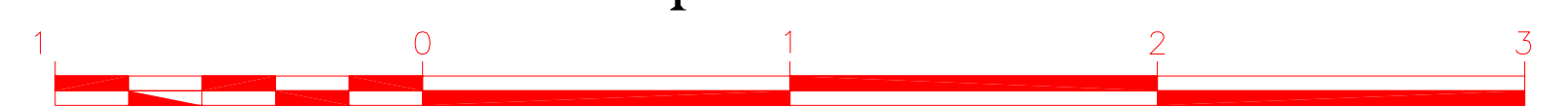
UNDERSIDE OF STEPS VIEW

HARLECH CASTLE
HARLECH
GWYNEDD

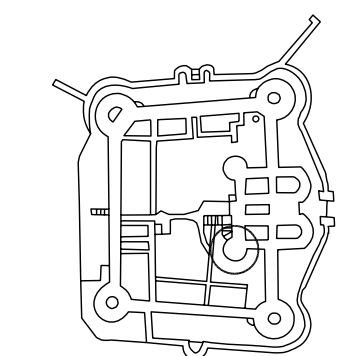
Legend	
	Masonry Wall
	Change of step surface
	Top of step riser
	Base of step riser
	Damage to quoins stones
	Exposed reinforcing
	Hand rope ring - Position taken at point of fixing to wall due to wall verticality ring may not appear on wall line.
	Masonry Wall
	Change of step surface
	Base of step riser
	Top of step riser
	Protruding masonry
	Exposed reinforcing

HARLECH CASTLE
GATEHOUSE SOUTH WEST TOWER

Steps 111 - 126



Site Plan



Site Bench Marks: Datum - CS09 Masonry pin shown on Dwg. S1490/78 & S1491/78 Supplied by client value 58.530m AOD.		Scale 1:20		Checked CN	
Sheet Information: 8 OF 10	Notes: GRID: Local plane metric Supplied by client.	Date October 2005	Dwg. No. 5618-8		
Monument Number: 6220		The Old Stables, Garage Street, Llandudno, LL30 1DW			