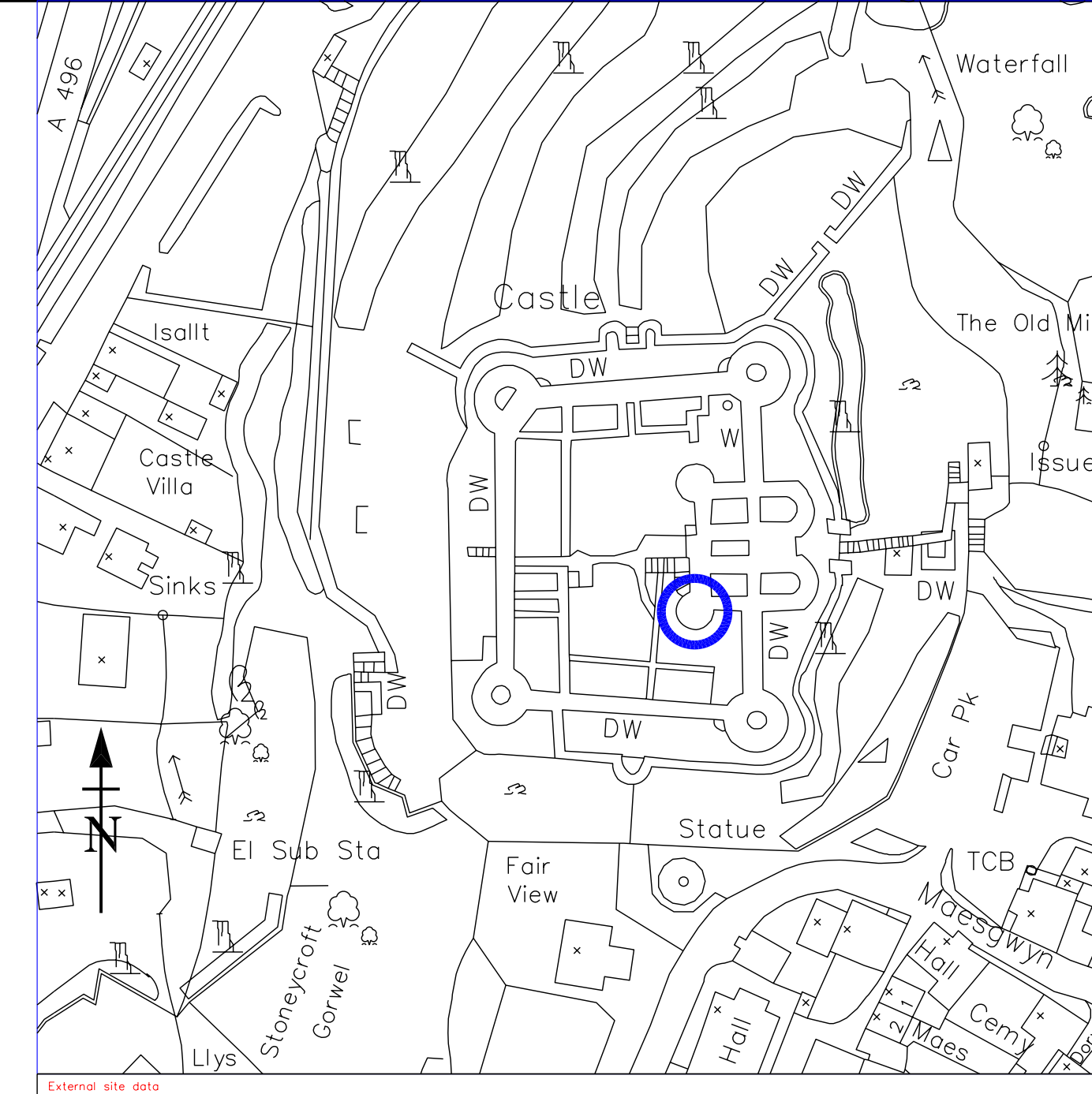
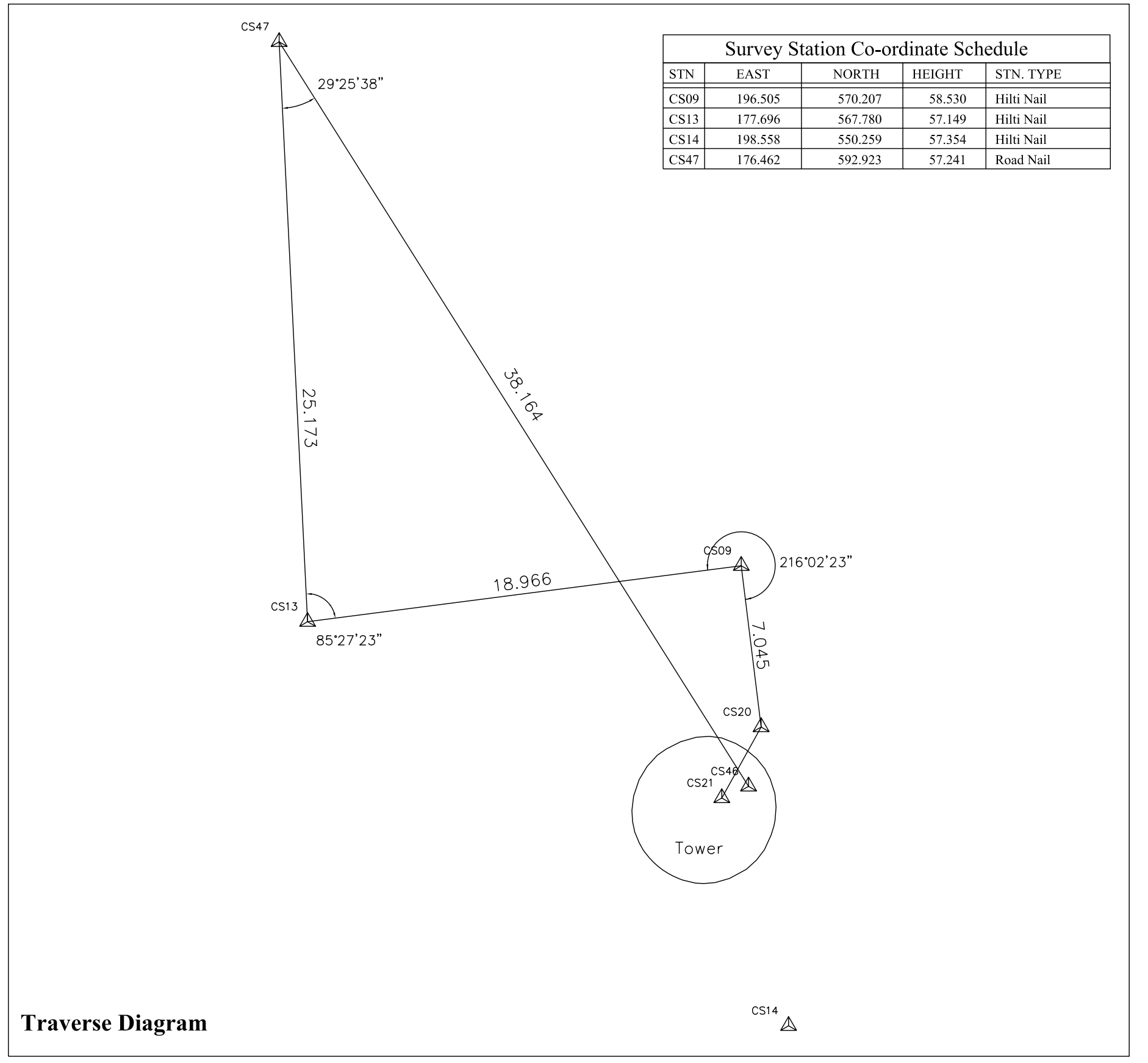


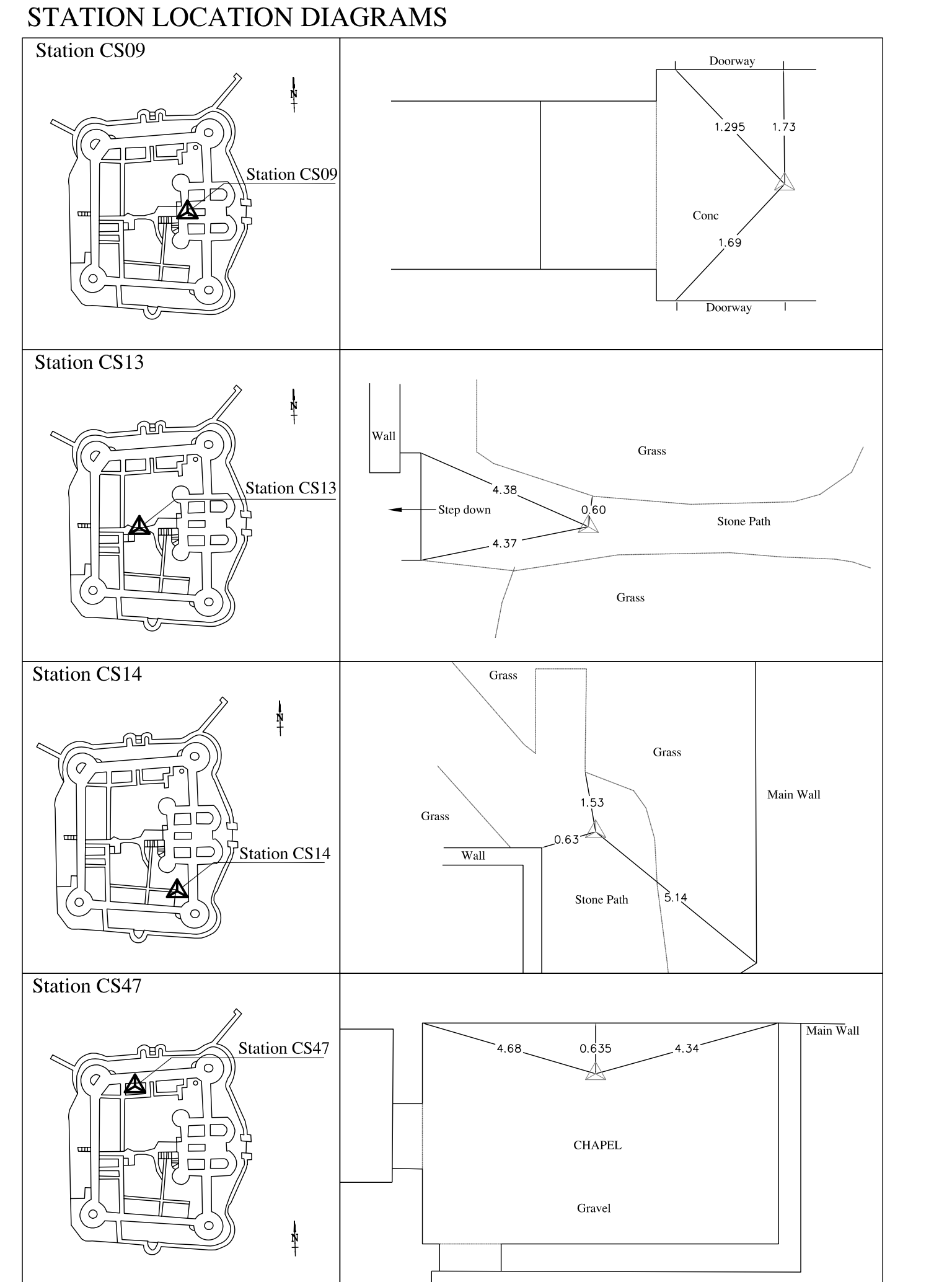
NOTE : Survey stations CS20 - CS46 were temporary marks.



Location Diagram Not to scale



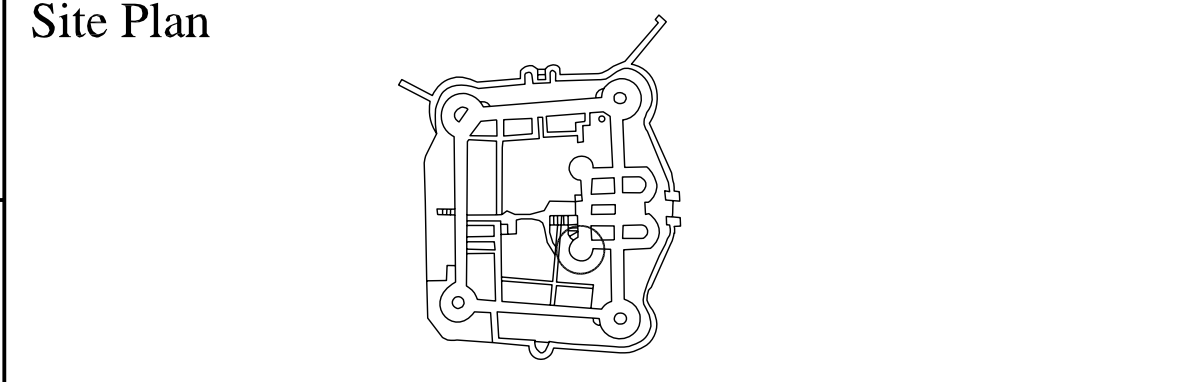
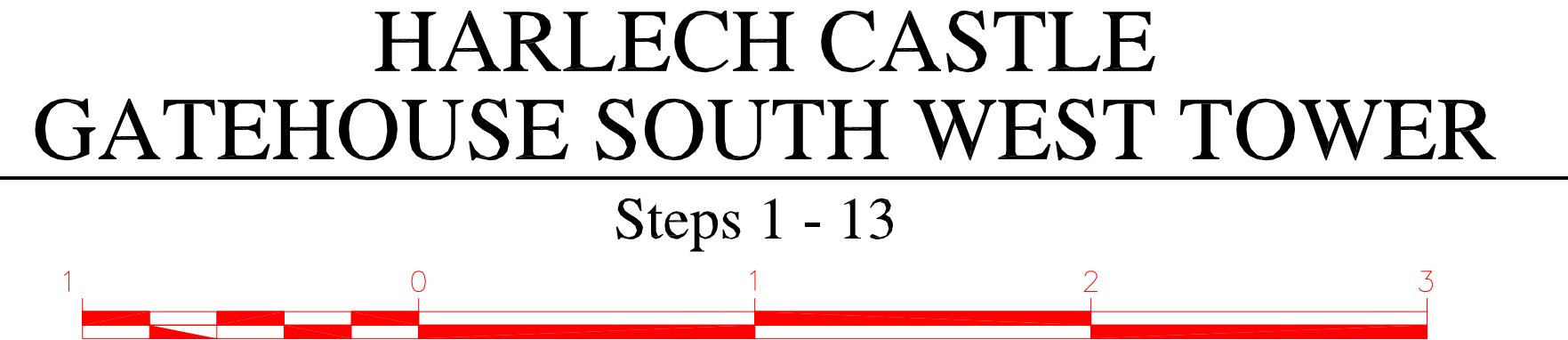
Traverse Diagram



HARLECH CASTLE
HARLECH
GWYNEDD

Legend

	Top of step view		Masonry Wall		Underside of step view		Masonry Wall
	Change of step surface		Change of step surface		Change of step surface		Change of step surface
	Top of step riser		Top of step riser		Top of step riser		Top of step riser
	Base of step riser		Base of step riser		Base of step riser		Base of step riser
	Damage to quoins stones		Damage to quoins stones		Damage to quoins stones		Damage to quoins stones
	Exposed reinforcing		Exposed reinforcing		Exposed reinforcing		Exposed reinforcing
	Hand rope ring - Position taken at point of fixing to wall due to wall verticality ring may not appear on wall line.						



Site Bench Marks: Datum - CS09 Masonry pin shown on Dwg. S1490/78 & S1491/78 Supplied by client value 58.530m AOD.		Scale 1:20		Checked CN	
Sheet Information: 1 OF 10	Notes: GRID: Local plane metric Supplied by client.	Date October 2005	Dwg. No. 5618-1		
Monument Number: 6220		Dwg. No. 5618-1			