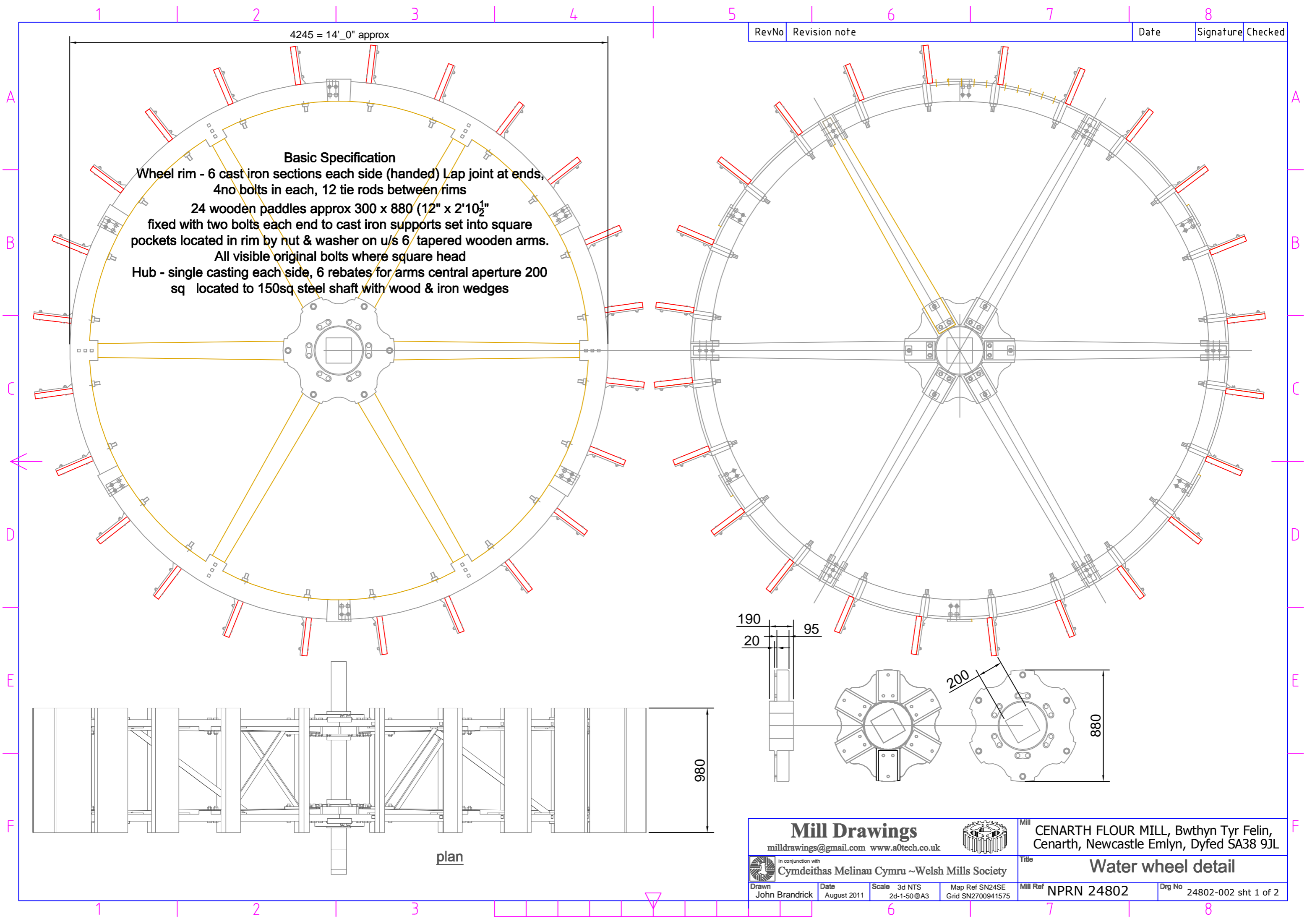
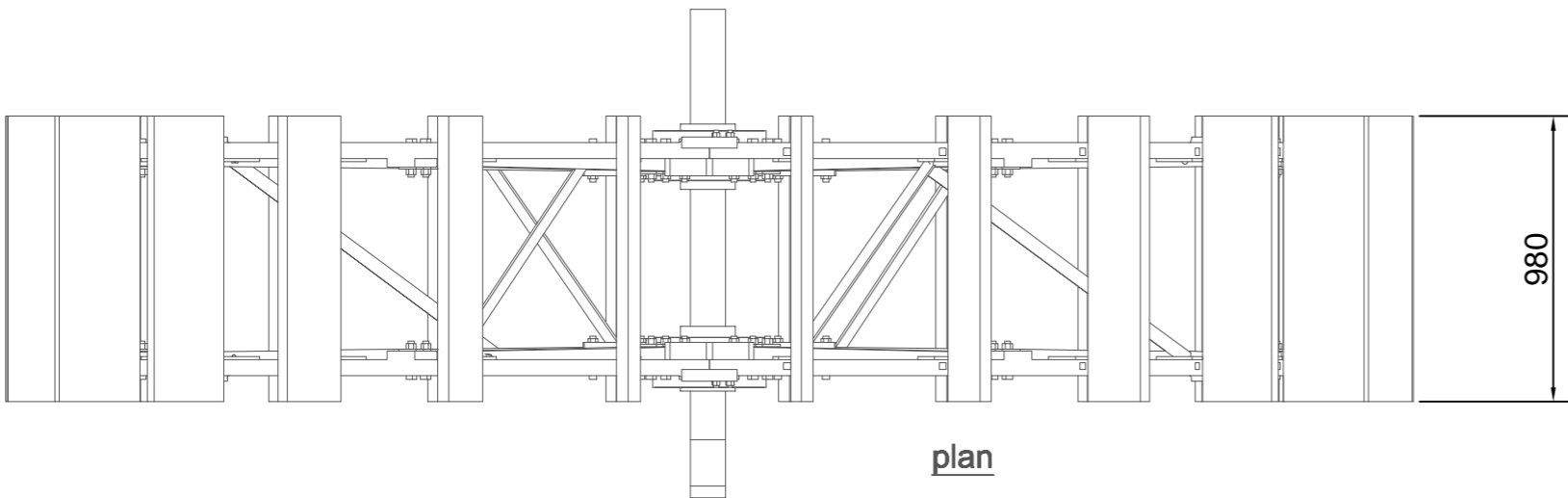
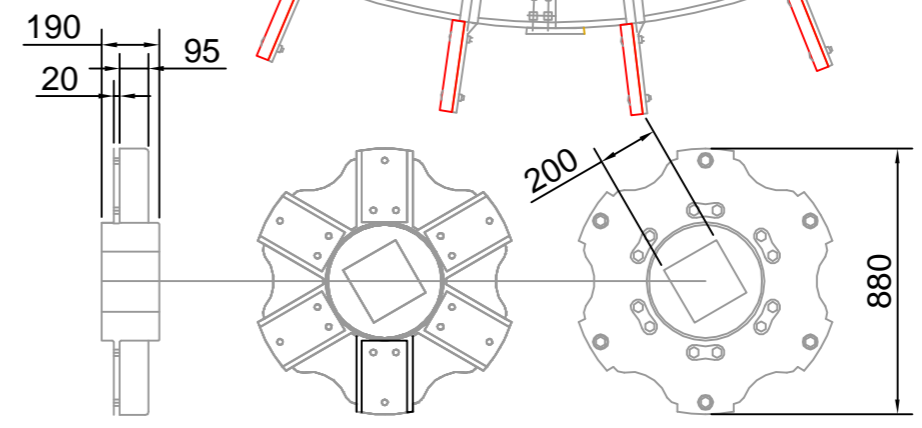



4245 = 14'_0" approx



Basic Specification
 Wheel rim - 6 cast iron sections each side (handed) Lap joint at ends,
 4no bolts in each, 12 tie rods between rims
 24 wooden paddles approx 300 x 880 (12" x 2'10½"
 fixed with two bolts each end to cast iron supports set into square
 pockets located in rim by nut & washer on u/s 6 tapered wooden arms.
 All visible original bolts where square head
 Hub - single casting each side, 6 rebates for arms central aperture 200
 sq located to 150sq steel shaft with wood & iron wedges



plan

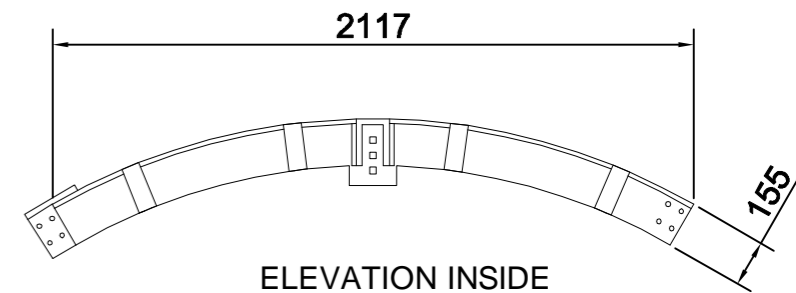
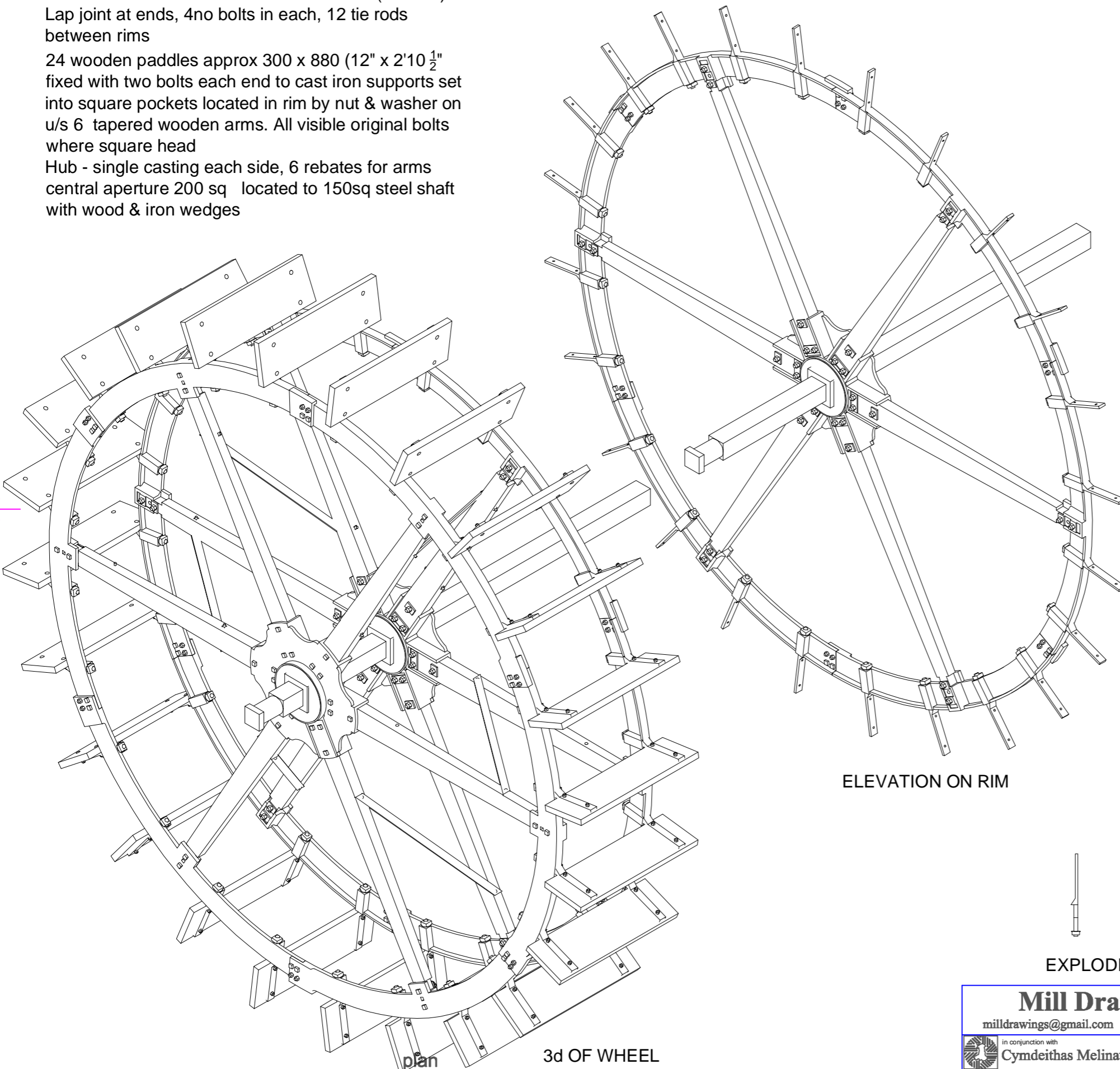
Mill Drawings milldrawings@gmail.com www.aotech.co.uk				Mill CENARTH FLOUR MILL, Bwthyn Tyr Felin, Cenarth, Newcastle Emllyn, Dyfed SA38 9JL	
in conjunction with Cymdeithas Melinau Cymru ~Welsh Mills Society		Title Water wheel detail			
Drawn John Brandrick	Date August 2011	Scale 3d NTS 2d-1-50@A3	Map Ref SN24SE Grid SN2700941575	Mill Ref NPRN 24802	Drg No 24802-002 sht 1 of 2

Basic Specification

Wheel rim - 6 cast iron sections each side (handed)
Lap joint at ends, 4no bolts in each, 12 tie rods between rims

24 wooden paddles approx 300 x 880 (12" x 2'10 1/2") fixed with two bolts each end to cast iron supports set into square pockets located in rim by nut & washer on u/s 6 tapered wooden arms. All visible original bolts where square head

Hub - single casting each side, 6 rebates for arms central aperture 200 sq located to 150sq steel shaft with wood & iron wedges



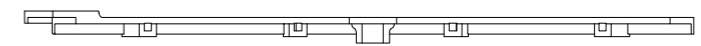
ELEVATION INSIDE



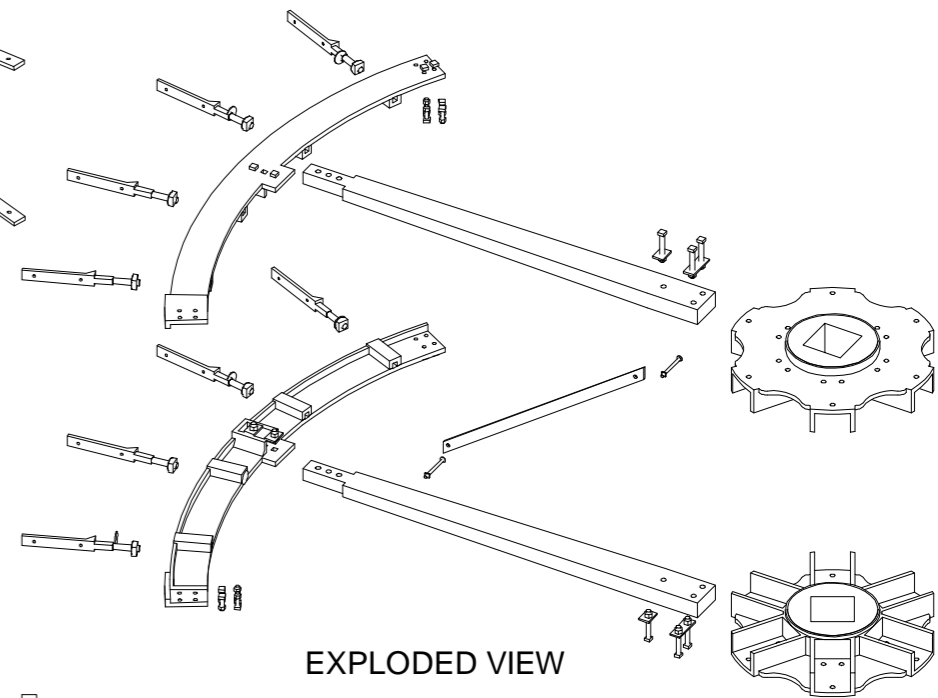
PLAN ON TOP FACE



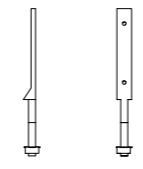
ELEVATION OUTSIDE



PLAN ON BOTTOM FACE



EXPLODED VIEW



EXPLODED VIEW

<p>Mill Drawings milldrawings@gmail.com www.a0tech.co.uk</p>		<p>in conjunction with Cymdeithas Melinau Cymru ~Welsh Mills Society</p>		<p>Mill CENARTH FLOUR MILL, Bwthyn Tyr Felin, Cenarth, Newcastle Emlyn, Dyfed SA38 9JL</p>	
<p>Drawn John Brandrick</p>		<p>Date August 2011</p>		<p>Scale 3d NTS 2d-1-50@A3</p>	
<p>Map Ref SN24SE Grid SN2700941575</p>		<p>Mill Ref NPRN 24802</p>		<p>Drg No 24802 - sht 2 of 2</p>	
<p>3d Details Water wheel</p>				<p>3d OF WHEEL</p>	